

Note: All dimensions are in mm unless otherwise specified.

# ESC for Middle Load Drone System

## Performance Standard Specifications

ES-362 [ 6kW ]

Rated Voltage Range	36~64VDC
Maximum Peak Current	100ADC
Max. Continuous Current	80ADC
Drive Type	3-phase Hall sensor type Brushless Motor Driver
Control Method	PWM speed control
Control Interface	CANopen
	RS-485
Size ( LxWxH )	125mm x 52mm x 35mm
Weight ( Incl.Cable )	463g
IP Rating	IP55
Cooling Method	Air-cooled



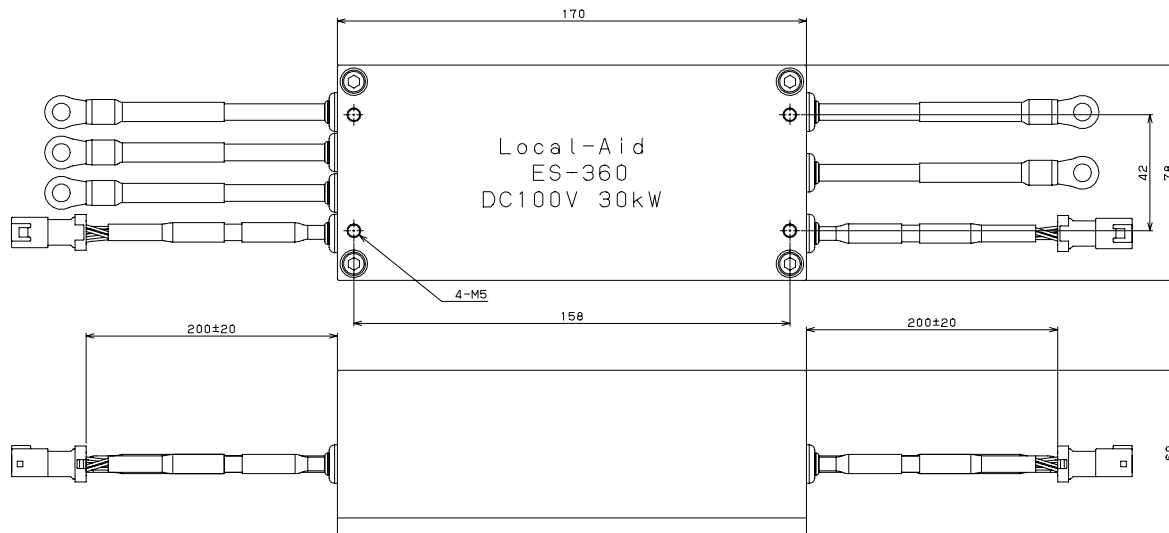
## Input Specifications

Input Power Line	UL3512 AWG8	Red	DC+	36~64 VDC
Input Power Line	UL3512 AWG8	Black	DC-	-
Signal Line	UL2464 4PR (8C) AWG24	Pin 1	Vspeed	15VDC
		Pin 2	GND	-
		Pin 3	PWM Input	0~10VDC (The control frequency is 500Hz)
		Pin 4	PWM Output	0~10VDC (The control frequency is 500Hz)
		Pin 5	CAN open	-
		Pin 6	CAN open	-
		Pin 7	RS-485	-
		Pin 8	RS-485	-

## Motor I/O

Motor Power Line	UL3512 AWG8	Red	U
Motor Power Line	UL3512 AWG8	White	V
Motor Power Line	UL3512 AWG8	Black	W
Motor Signal Line	UL2464 3PR(6C) AWG24	Pin 1	Vcc
		Pin 2	GND
		Pin 3	Hu
		Pin 4	Hv
		Pin 5	Hw





Note: All dimensions are in mm unless otherwise specified.

# ESC for Heavy Load DRONE System

ES-360 [ 30kW ]

## Performance Standard Specifications

Rated Voltage Range	80~120VDC
Maximum Peak Current	300ADC
Max. Continuous Current	200ADC
Drive Type	3-phase Hall sensor type Brushless Motor Driver
Control Method	PWM speed control
Control Interface	CANopen
	RS-485
Size (LxWxH)	170mm x 78mm x 60mm
Weight (Incl.Cable)	1170g
IP Rating	IP55
Cooling Method	Air-cooled

## Input Specifications

Input Power Line	UL3512 AWG6	Red	DC+	80~120 VDC
Input Power Line	UL3512 AWG6	Black	DC-	-
Signal Line	UL2464 4PR (8C) AWG24	Pin 1	Vspeed	15VDC
		Pin 2	GND	-
		Pin 3	PWM Input	0~10VDC (The control frequency is 500Hz)
		Pin 4	PWM Output	0~10VDC (The control frequency is 500Hz)
		Pin 5	CAN open	-
		Pin 6	CAN open	-
		Pin 7	RS-485	-
		Pin 8	RS-485	-

## Motor I/O

Motor Power Line	UL3512 AWG6	Red	U
Motor Power Line	UL3512 AWG6	White	V
Motor Power Line	UL3512 AWG6	Black	W
Motor Signal Line	UL2464 3PR(6C) AWG24	Pin 1	Vcc
		Pin 2	GND
		Pin 3	Hu
		Pin 4	Hv
		Pin 5	Hw

